

## Talbot *Pushfit* Valves and Stopcocks

### Benefits

- Available in various configurations with outlet sizes to suit PE pipe of 16mm - 63mm (3/8" - 2")
- A purpose designed key with WIS 4-32-04 plastic stopcocks provides effective protection against any damage caused by over-tightening
- BS5433 stopcocks incorporate the simple to use and reliable Talbot Pushfit connection combined with proven existing screw-down headworks technology
- Design and selection of materials gives high strength for installation and operation, and corrosion resistance for long life



### Technical help

For further technical data, product specifications and general information please contact our Customer Service Department at the telephone number shown below.

### Safety

As with all industrial products it is important to take adequate safety precautions such as the use of adequate protective clothing like gloves, overalls, eye protection and safety footwear during use, maintenance and installation.

The Talbot range of stopcocks, plugcocks and valves consists of many individual types of product, all of which give excellent performance characteristics. The range is available to suit PE pipes from 16mm to 63mm using the tried and tested Talbot Pushfit connection. In addition, when used in conjunction with the Talbot Leadfit components, the range will suit certain sizes of Lead pipe.



### Technical data

Pressures: Working: 16 bar Test: 24 bar  
The pressures stated above apply with water temperatures up to 20°C

Temperature: Up to 40°

Temperature increases may affect the installed life of the product. For further information relating to operating temperatures please contact our customer service department at the telephone number shown below

Talbot Pushfit fittings can be supplied to meet the applicable performance requirements of:

ISO 3458, 3459, 3501, 3503  
DIN 8076  
WIS 4-23-04, WIS 4-32-11  
KIWA BRL 534/03  
Australian Standard AS/NZS 4129  
BS EN 1254-3-1998

All materials used with the Talbot Pushfit fitting that come into contact with potable water are WRAS listed.

The Talbot Pushfit connection can be used with PE pipe of the following specifications:

BS 6572, BS 6730, BS1972, BS 3284  
DIN 8072, DIN 8074, all series  
ISO 161 Parts I & II  
AWWA C901-78 PE tubing  
WIS 4-32-03  
ASTM - D2737 PE tubing  
WIS 4-32-13  
AS/NZS 4130

### General application

Talbot Stopcocks and shut off devices utilise the Talbot Pushfit connection. This fitting uses a common body and only two sets of interchangeable components to connect to metric PE pipes and their imperial equivalents including heavy gauge and most normal gauge sizes.

#### Plastic Stopcocks - PE x PE

Below ground - 20 to 32mm (1/2" - 1") PE  
WIS 4-23-04, 4-32-11, BS 5433 & AS1460.1  
Screw down type

#### Gunmetal Stopcocks - PE x PE

Below ground - 20 to 32mm (1/2" - 1") PE  
BS 5433  
Screw down type

#### Gunmetal Plugcocks - PE x PE

Below ground - 25 and 32mm (3/4" - 1") PE  
BS 2580  
1/4 turn type

#### Additional Talbot Valves - See page 3

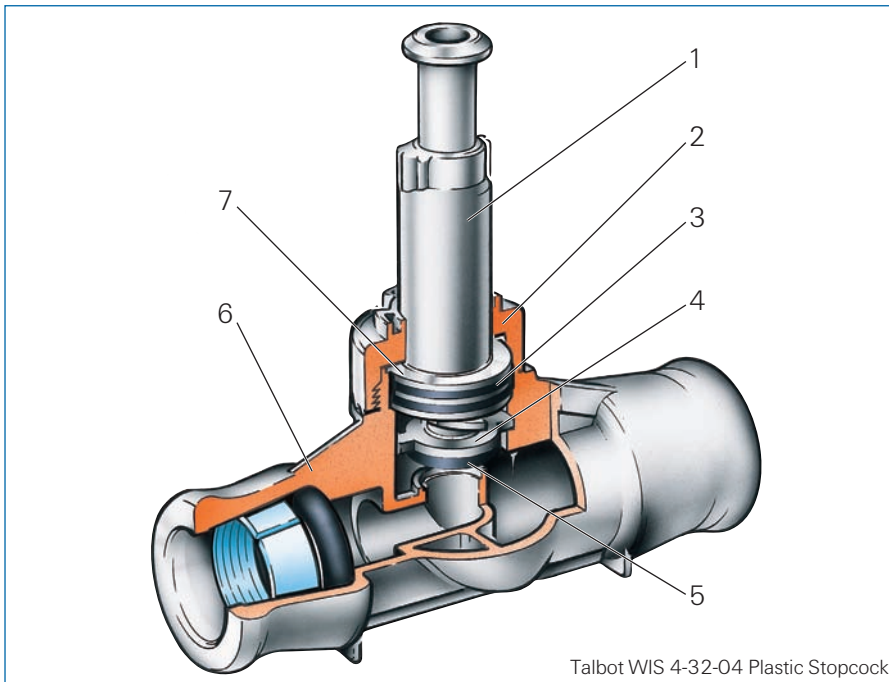
Talflo Valve  
Above ground  
Hand operated stand post valve  
Self closing type  
Pressure Reducing Valves  
Double Check Valves  
Large Diameter Valves

## Talbot Pushfit Plastic Stopcocks - WIS 4-32-04

The Talbot plastic stopcock's design is based on proven technology and can be used in all situations normally suited to a BS 5433 stopcock.

The stopcock's screwdown action is familiar to installers and gives maximum security of shut-off. The stopvalve key provides torque overload protection and enables the valve to be opened and closed easily. It is designed to slip on the stopvalve rotor should too much force be used to tighten the stopvalve.

Talbot Plastic Stopcocks are available to suit PE pipe in sizes 20, 25 and 32mm and their imperial equivalents and when used in conjunction with Talbot Leadfit components will suit 1/2" 7lb lead (23.5mm OD), 3/4" 9lb lead (29.4mm OD) and 1" 16lb lead (39.2mm OD). Talbot Plastic Stopcocks are also available with 1/2", 3/4" and 1" female threaded outlets. All variants are available with long, short and square keys.



Talbot WIS 4-32-04 Plastic Stopcock



### Parts List - Plastic Stopcock

Item	Description
1	Rotor
2	Cap
3	Rotor Seal 'O' Rings
4	Plunger
5	Sealing Washer
6	Body
7	Locking Washer

The stopcock is designed to comply with WIS 4-23-04 and has passed the performance requirements of BS 5433. The Pushfit connection complies with WIS 4-32-11 and AS 1460.1.

All materials that come into contact with water are WRAS listed.

## Gunmetal Stopcocks - BS5433

Talbot BS5433 gunmetal Stopcocks are highly resistant to corrosion and provide years of service in even the most aggressive soil conditions.

BS5433 stopcocks utilise the Talbot Pushfit connection and are available in 16, 20, 25, 32, 50 and 63mm as well as their imperial equivalents. Talbot Stopcocks can be supplied with crutch heads or square heads.

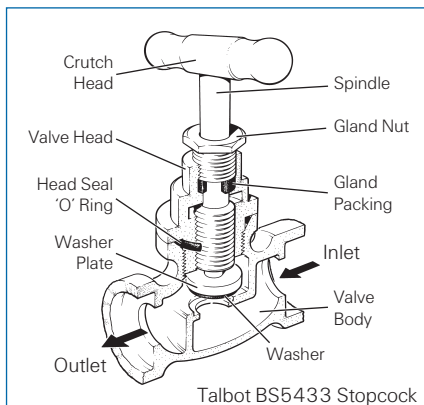


### Material Specifications

Description	Material
All metallic parts	Gunmetal
Head seal 'O' ring	Nitrile or EPDM rubber
Washer	Nitrile or EPDM rubber
Gland Packing	Graphite aramid fibre and rubber compound

### Weights - BS5433 Stopcocks

Description	Weight
20mm (1/2") x 20mm (1/2")	0.7kg
25mm (3/4") x 25mm (3/4")	1.0kg
32mm (1") x 32mm (1")	1.9kg
50mm (1 1/2") x 50mm (1 1/2")	4.8kg
63mm (2") x 63mm (2")	7.5kg



Talbot BS5433 Stopcock

## Gunmetal Plugcocks - BS2580

Talbot plugcocks are made from corrosion resistant gunmetal and are manufactured to BS 2580 offering a full flow facility with a 1/4 turn on/off control. Talbot Plugcocks have Pushfit outlets for PE pipe in 25mm (3/4") and 32mm (1") sizes and are supplied with fan heads.

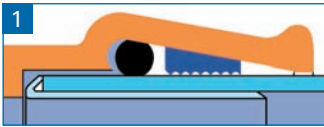


### Weights - BS2580 Plugcocks

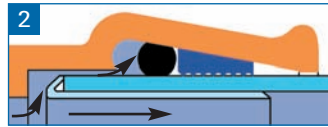
Description	Weight
25mm (3/4") x 25mm (3/4")	1.0kg
32mm (1") x 32mm (1")	1.6kg

## How the Talbot Pushfit Connection Works

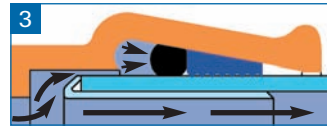
Talbot stopcocks and valves all use the Talbot Pushfit connection for PE pipe for the inlets and outlets of the valve. A full range of service and mains fittings for PE pipe are also available. For further information please contact the Talbot customer service department at the number shown on the back of this data sheet



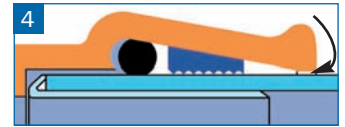
1 After insertion of the pipe, with the components at rest, the 'O' ring provides the water seal and the grip ring is ready to resist any pull out.



2 Water pressure forces the 'O' ring against the grip ring, pushing both components down the taper of the fitting creating an excellent pressure seal on the pipe.



3 As the water pressure rises the 'O' ring is forced further down the tapered body towards the grip ring, increasing the sealing pressure against the pipe and body.



4 In negative pressure conditions the 'O' ring remains in its original seating position and provides an effective vacuum seal.

## Other Talbot Valves

Talbot supply an extensive range of associated valves and shut off devices. In addition to those shown here a full range of large diameter valves for both the water and gas industry are available. For further more detailed information on the complete range offered please contact our customer service department at the number shown on the back of this data sheet.

### Talbot Talflo Valve

The Talflo Valve is a self closing water supply valve used in conjunction with community stand posts. The Valve has been developed using information received from the market place and following rigorous testing with bodies such as the Consumer Association in the UK. It has undergone endurance testing in several countries including Egypt, Nigeria and Ethiopia and has been in use for many years in the most arduous of conditions.



### Talbot Pressure Reducing Valves

The Talbot Pressure Reducing Valve is a tried and tested method of controlling the pressures in water distribution systems and service pipes, helping to reduce leakage and ensuring that appliances are supplied with water at the correct pressure. The Talbot PRV also help to reduce damage to valves and taps and suppress vibration and some types of water hammer.

- *The design and selection of materials allows the outlet pressure to remain virtually constant, irrespective of flow*
- *With no sliding parts subject to friction the valve is maintenance free*
- *Water flow across the seat is usually sufficient to provide a self-cleaning action, also preventing the valve from becoming affected by scaling*
- *The valve is suitable for cold and hot water up to 75°C*

### Talbot Double Check Valves



Within the Talbot Pushfit range of valves and fittings there is a selection of double check valves. These are available in 20mm (1/2") and 25mm (3/4") variants both of which have an integral drain facility.

## Large Diameter Valves



Also available is a full range of automatic control valves. Within this collection is the HydroStab range of Control Valves. The HydroStab valve can be supplied in the form of a pressure reducing valve, a pressure regulating valve or a pressure sustaining valve depending on customer requirements.

These valves are coated on both internal and external surfaces with epoxy to a thickness of 150 microns providing many years of trouble free use and operation.



The soft sealing gate valve for water distribution networks is a reliable and high performance valve manufactured to BS 5163. The valve is fully coated on both internal and external surfaces with epoxy to a thickness of 150 microns and will provide many years of trouble free use and operation.

## Associated Products



*Talbot Pushfit fittings are quick and easy to use, with no nuts to lose or leave undone. Simply push the pipe into the fitting. The grip and seal on the pipe increases with pressure and tensile load so that the pipe will burst or neck before the fitting will fail. Talbot Pushfit is available in a full range of fittings from 16mm to 180mm and their imperial equivalents.*



*Talbot Grippa is a universal fitting that connects onto a wide variety of existing lead, galvanised iron and copper pipe with just one set of internal components. The range consists of three fittings which together suit all metal pipes with an outside diameter of 15mm (3/8") to 34mm (3/4") including the different weights of lead pipe.*



*The Talbot range of ferrule straps, self tapping ferrule straps, swivel ferrules and flat boss straps can be used to connect PE service pipes to almost any type and size of mains pipe material from 32mm diameter.*

*Straps are available up to 600mm in diameter and ferrules can be inserted directly into suitable mains pipe of any size as long as wall section and wall strength allow.*



*The UPE Universal and Engineered range of couplings and flange adaptors can be used for almost any plane-ended rigid pipe material from 40mm to 2,200mm pipe nominals. This flexibility combined with each fittings ability to accommodate a wide variety of pipe sizes makes the UPE Universal fitting a versatile and economical product to use.*

## Tyco Waterworks

Edison Road  
Hams Hall Distribution Park  
Coleshill, Birmingham  
B46 1AB United Kingdom  
Telephone: +44 (0)1675 437 900  
Facsimile: +44 (0)1675 437 909  
e-mail: [wwinfo@tyco-valves.com](mailto:wwinfo@tyco-valves.com)  
web: [www.tycowaterworks.com](http://www.tycowaterworks.com)