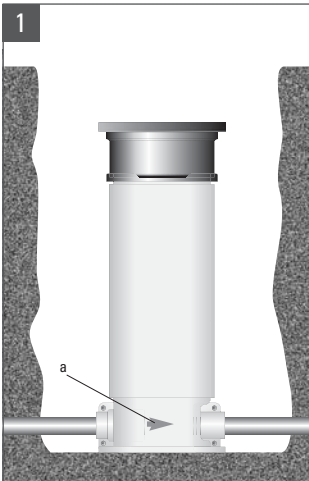


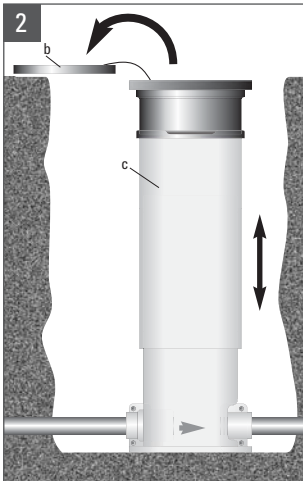
# Telescopic Single and Double - Boundary Box Installation Instructions

The installation recommendations shown below cover the range of Tyco Waterworks UK (Atplas, Talbot and EBCO) Telescopic below ground boundary boxes.

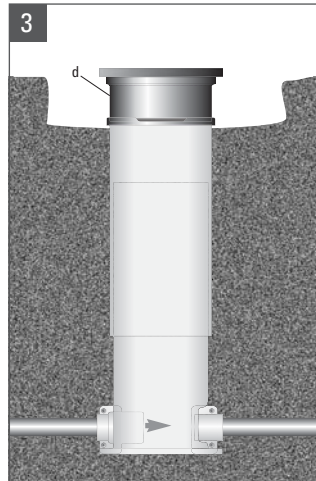


1. The service should be flushed fully to avoid any debris entering the system before connecting the service pipes. Place the complete unit in position on firm ground and connect the inlet and outlet pipe work. Avoid excess stress being placed on the connections. If necessary use additional fittings to align the pipes.

The direction of flow is indicated by an arrow (a) on the base.

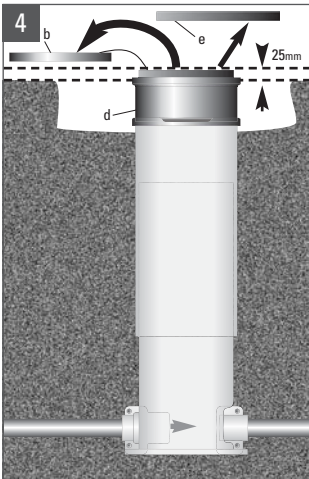


2. Open the surface box lid (b) to allow the telescopic chamber (c) to extend and adjust the box height to the approximate height of final reinstatement level.

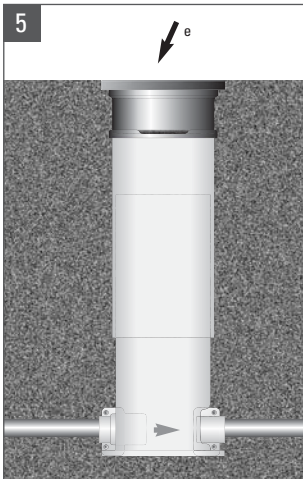


3. Close the lid and backfill with granular material in well compacted 100mm layers to the bottom of the surface box frame (d).

Notes: Reference should be made to HAUC regulations governing reinstatement as well as adhering to good general working practices.



4. Remove the square surface box flange (e) (if fitted) by rotating it. Open the lid (b) and, using the final adjustment available in the surface box frame (d), ensure the frame and cover meets the final level requirement. The surface box frame may be raised approximately 25mm above the final surface level then compacted down with the surrounding material, helping to improve re-instatement quality.



5. Close the lid and continue to backfill up to a level below the top of the surface box that allows for the top surface material thickness, compacting the backfill. Replace the surface box flange (e) and finish to the final surface level. Ensure the surface box flange is supported by well compacted backfill in order to prevent lid settlement. Ensure that correct and accurate level and inclination are achieved to suit surrounding area to avoid potential trip hazards.

Tyco Waterworks  
Edison Road,  
Hams Hall Distribution Park,  
Coleshill,  
Birmingham B46 1AB  
United Kingdom

Telephone: +44 (0)1675 437 900  
Facsimile: +44 (0)1675 437 909  
e-mail: [wwinfo@tyco-valves.com](mailto:wwinfo@tyco-valves.com)  
web: [www.tycowaterworks.com](http://www.tycowaterworks.com)

**tyco**

*Flow  
Control*

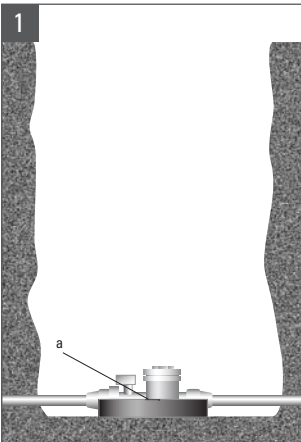
**Tyco  
Waterworks**

# Non-Telescopic - Boundary Box Installation Instructions

We reserve the right to change the design and specification without notice.  
 © Tyco 2007 2K (06/07) TEBC/300.1

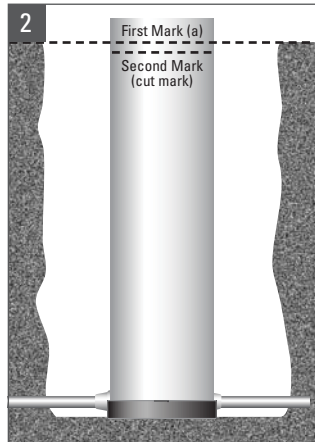
Tyco Waterworks boundary boxes are designed to comply with WIS4-37-01 and conform to BS5834 Pt2 Grade C. These products are for use in situations not intended for use by motor vehicles. They are designed for conveyance of cold potable water only. No warranty is given nor liability accepted by Tyco Waterworks for use for any other purpose, for failure to comply with these installation instructions, or for alterations made to the boxes.

Tyco Waterworks recommends the use of suitable protective clothing such as gloves, overalls, eye protection and safety footwear during installation.

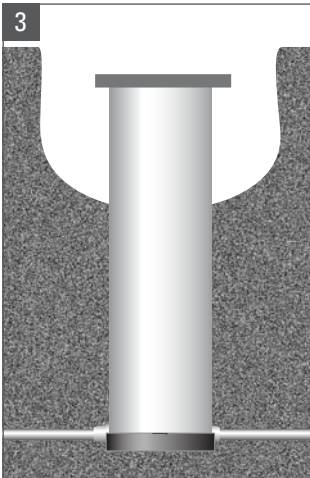


1. The service should be flushed fully to avoid any debris entering the system before connecting the service pipes. Remove the guard tube from the manifold section and sit the manifold in position on firm ground and connect the inlet and outlet pipework. Avoid excess stress being placed on the connections. If necessary use additional fittings to align the pipes.

The direction of flow is indicated by an arrow (a) on the base.

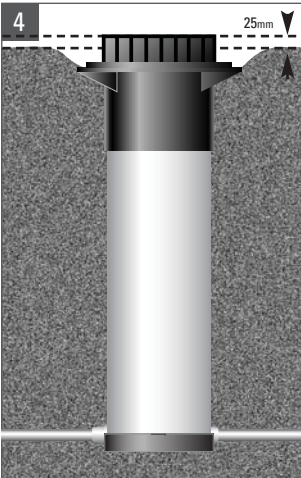


2. When cutting the guard tube to length ensure that the surface box lid and any top hat adaptor used will be supported only by well compacted backfill material and not by the guard tube itself. To do this re-fit the guard tube and firstly mark the final surface level on the tube. Remove the tube and, using this mark and the chosen surface box/top hat adaptor as a guide, mark the tube a second time to indicate the cutting point to ensure the surface box will sit on the backfill material when finally installed. Cut the guard tube square at the second mark with an appropriate saw.

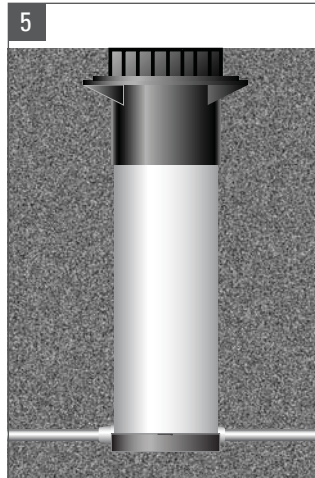


3. Replace the guard tube and cover it to prevent contamination of the chamber and backfill with granular material in well compacted 100mm layers. This needs to be to a level that will allow the fitment of the frame and cover.

Notes: Reference should be made to HAUC regulations governing reinstatement as well as adhering to good general working practices.



4. Remove the temporary tube cover and ensure any frost protection is fitted inside the tube. Fit the surface box frame and cover raised about 25mm above final surface level. Reinstat backfill material to level of base of surface box/lid assembly. Ensure that the surface box or top hat flange is supported by well compacted backfill material before completing reinstatement to final level.



5. Continue to reinstat backfill material to final surface level. Compact surface box frame and cover with surrounding material to final height. Ensure that lid height and inclination match the surrounding ground level to avoid potential trip hazards.